

## H 23 TPX H 25 TPX



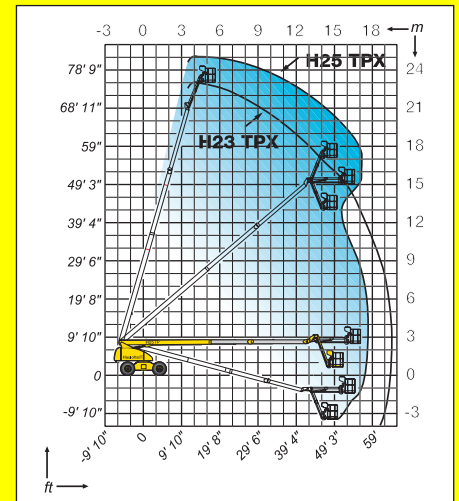
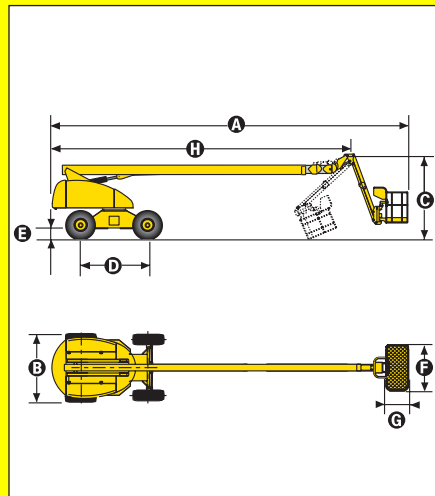
- +70° / -70° fly jib.
- Standard 4 wheel drive.
- 507 lb (230 kg) platform capacity.
- 1ft 1in (35 cm) ground clearance.



# Telescopic boom

## The Haulotte® advantages

- Improved working area through a positive / negative articulating fly jib with 140° movement.
- Hydraulic differential lock and 1ft 1in (35 cm) ground clearance for improved rough terrain capability.
- Continuous 360° turntable rotation.
- 180° hydraulique platform rotation.
- Compact travel/transport dimensions.
- Full proportional controls and simultaneous boom functions improve productivity.
- Work platform overload limiter increases safety.
- Robust, reliable and easy to maintain design.



## STANDARD FEATURES

- Silent pack Hatz Diesel engine
- 4 wheel drive
- 5° tilt alarm
- 24 V electrical control system
- 12 V - 95 Ah - battery
- Free wheeling device
- Electric emergency lowering system
- Safe use in winds up to 28 mph / 45 km/h
- Hourmeter
- Turret slewing lock rod
- Towing hooks / lifting eyes
- 2 hooks for safety harness in platform

## OPTIONS & ACCESSORIES

- Large platform H23TPX (2.3 m x 0.8 m / 91 in X 32 in)
- 220V / 16A power line to platform
- Rotating beacon
- Flashing light
- Travel alarm
- Catalytic exhaust
- Encoded starting device
- On-board generator 3,3 kW
- Hot countries kit
- H23TPX : 250 kg (551 lb) of capacity with a wind up to 60 km/h (37 mph) (machine weight : 13,640 kg / 30,076 lb)

## SPECIFICATIONS

|                                 | H23TPX                        | H25TPX                  |
|---------------------------------|-------------------------------|-------------------------|
| Working height                  | 74 ft 2 in / 22.6 m           | 83 ft 0 in / 25.3 m     |
| Platform height                 | 67 ft 7 in / 20.6 m           | 76 ft 5 in / 23.3 m     |
| Horizontal outreach             | 64 ft 1 in / 19.50 m          | 55 ft 5 in / 16.9 m     |
| Platform capacity               | 507 lb / 230 kg               |                         |
| Fly jib range of motion         | 140° (-70°/+70°)              |                         |
| Jib length                      | 7 ft 3 in / 2,2 m             | 7 ft 3 in / 2,2 m       |
| A Length                        | 34 ft 9 in / 10,6 m           | 43 ft 0 in / 13.1 m     |
| B Width                         | 2,47m / 8ft 1in               | 8 ft 2 in / 2.48 m      |
| C Stowed height                 | 9 ft 10 in / 3 m              | 9 ft 10 in / 3 m        |
| D Wheelbase                     | 8 ft 2 in / 2,49 m            | 8 ft 2 in / 2.49 m      |
| E Ground clearance              | 13 in / 35 cm                 | 13 in / 35 cm           |
| F x G Platform size             | 71 in x 32 in / 1.8 m x 0.8 m |                         |
| H Travel/transport length       | 26 ft 7 in / 8.1 m            | 35 ft 5 in / 10.8 m     |
| Tailswing                       | 42 in / 1.1 m                 | 42 in / 1.1 m           |
| Drive speed                     | 0.9-3.1 mph / 1.5-5km/h       | 0.9-3.1 mph / 1.5-5km/h |
| Outside turning radius          | 20 ft 2 in / 6.15 m           | 20 ft 2 in / 6.15m      |
| Turntable rotation (continuous) | 360°                          |                         |
| Hydraulic platform rotation     | 180°                          |                         |
| Gradeability                    | 40%                           |                         |
| Engine                          | Diesel Hatz 43.6 hp - 32.1 kW |                         |
| Controls                        | proportional                  |                         |
| Tyres (foram filled)            | 15 R 22                       |                         |
| Hydraulic tank                  | 40 gallons / 150 l            |                         |
| Fuel tank                       | 40 gallons / 150 l            |                         |
| Weight                          | 28.908 lb / 13.110 kg         | 30.253 lb / 13.720 kg   |

AS1418.10



2420604630 - Ed. 06/2006 - Copyright © by Pinguely-Haulotte - products specifications are subject to change without notice - non contractual pictures.