



### Optimum compactness

- Width of 76 cm to operate in the most congested areas
- Compact stowed height for easy access through standard doorways

### Exceptional productivity

- Driveable at full height
- Load capacity up to 230 kg
- Extended platform
- Long working cycles

### Robust, reliable, easy to maintain



**Haulotte**   
GROUP  
More than lifting



# OPTIMUM 8.1



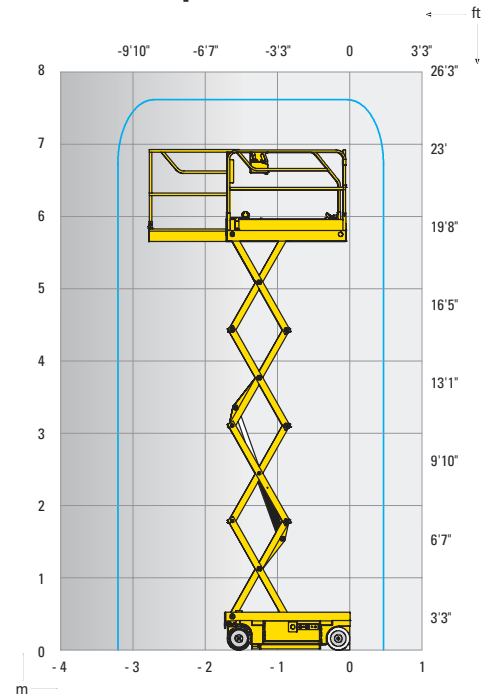
ELECTRIC SCISSOR LIFTS

## TECHNICAL DATA

### Optimum 8.1

Working height	7.8 m
Platform height	5.8 m
Driveable at full height up to	5.8 m
Lift capacity - inside	230 kg
Lift capacity - outside	120 kg
<b>A</b> Platform length - outside	1.68 m
<b>B</b> Platform length - extended	2.59 m
Length - extension	0.91 m
<b>C</b> Platform width - outside	0.7 m
<b>D</b> Storage height	2 m
<b>E</b> Height - stowed	2 m
<b>F</b> Overall width	0.76 m
<b>G</b> Length	1.9 m
<b>H</b> Wheelbase	1.38 m
<b>I</b> Ground clearance - Center	8 cm
Ground clearance - Pothole guards deployed	1.5 cm
Drive speed	0.5 - 4.5 km/h
Gradeability	25 %
Tilt	2 °
Lift / lower speed	22 s / 37 s
Turning radius - outside	1.7 m
Non-marking tires	12.5 x 4.25
Batteries	24 V - 180 Amph (C5)
Hydraulic system capacity	20 l
Weight	1572 kg

## Optimum 8



## STANDARD EQUIPMENT

- Pothole guards
- Battery charge indicator
- Proportional lift and drive
- Inside / outside use
- Swing out component tray
- Battery charger with automatic stop
- Solid non-marking tyres
- Free wheeling device
- Tilt controller
- Load Management System in the platform
- Manual platform lowering valve
- Integrated forklift pockets
- Towing hooks
- Horn
- Hourmeter

## OPTIONS AND ACCESSORIES

- Flashing light
- Travel alarm
- Working light
- Power to platform
- Biodegradable hydraulic oil
- Folding guardrails

