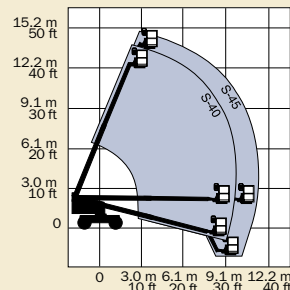


Standard Features

- S-40 has 14 m (46 ft) working height
- S-45 has 15.5 m (51 ft) working height
- S-40 has 9.7 m (31 ft 8 in) horizontal reach
- S-45 has 11.2 m (36 ft 8 in) horizontal reach
- 227 kg (500 lb) lift capacity
- Oscillating axle system on 4x4 models
- Dual fuel (Gas/LPG) or diesel engine options
- Fully proportional platform controls with ramp up/down feature
- Hydraulic platform rotation
- 360° continuous turntable rotation
- 12V DC auxiliary power
- Fuel select switch on platform and ground control panels (Gas/LPG models)
- Closed-loop hydrostatic drive

- Hydraulic oil cooler
- Positive traction drive
- Drive enable system
- Self-levelling platform
- Locking turntable covers
- Anti-restart engine protection
- Auto engine fault shutdown
- AC wiring to platform
- Wire braided hose
- Tilt alarm
- Horn
- Hour meter

Range of Motion

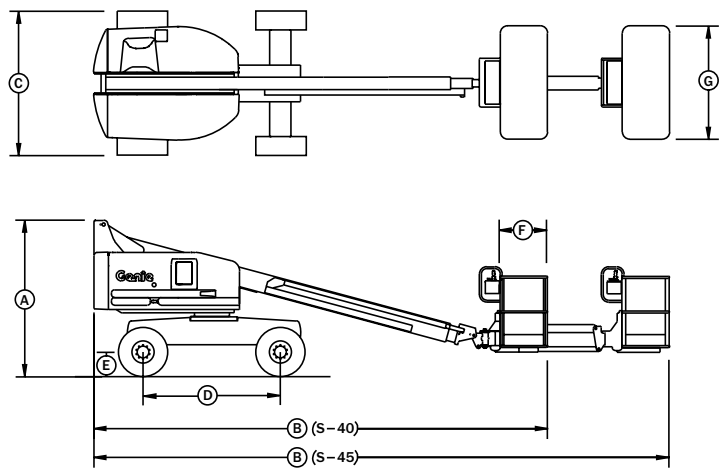


Options and Accessories

- Alarm package
- Cold start packages
- 2500 or 3000 watt AC generator
- 2.44 m (8 ft) steel platform
- Platform swing gate
- Air line to platform
- Platform rail pinch guard
- Platform work lights
- Lockable platform control box cover
- Tool tray
- Fluorescent tube caddy
- Hostile environment packages
- Additional LPG tank
- GS/LPS rating for Ford engine powered machines
- Foam-filled tyres
- Tow package
- Driving lights
- Weld lead to platform
- Spark arrester (Ford and Deutz)
- Scrubber/spark arrester (Deutz)

Standards Compliance

- ANSI/SIA A92.5
- CAN3-B354.4-M82
- CE
- AS 1418.10



Specifications

Model	S-40		S-45	
Working height max*	14 m	46 ft	15.5 m	51 ft
Platform height max	12.2 m	40 ft	13.7 m	45 ft
(A) Height - stowed	2.5 m	8 ft 2 in	2.5 m	8 ft 2 in
(B) Length - stowed	7.4 m	24 ft 3 in	8.5 m	27 ft 10 in
(C) Width	2.3 m	7 ft 6 in	2.3 m	7 ft 6 in
(D) Wheelbase	2.2 m	7 ft 3 in	2.2 m	7 ft 3 in
(E) Ground clearance	32 cm	12 1/2 in	32 cm	12 1/2 in
(F) Platform length: 183 cm	76 cm	30 in	76 cm	30 in
	2.44 m	91 cm	91 cm	36 in
(G) Platform width: 183 cm	1.83 m	72 in	1.83 m	72 in
	2.44 m	2.44 m	2.44 m	96 in
Horizontal reach max	9.7 m	31 ft 8 in	11.2 m	36 ft 8 in
Lift capacity	227 kg	500 lb	227 kg	500 lb
Turning radius - outside	4.78 m	15 ft 8 in	4.78 m	15 ft 8 in
Turning radius - inside	2 m	6 ft 8 in	2 m	6 ft 8 in
Turntable rotation	360° continuous		360° continuous	
Turntable tailswing	86 cm	34 in	86 cm	34 in
Power source	Ford LRG 425 EFI Gas/LPG 861 kw (2hp) Deutz Diesel 42 kw (56 hp) Deutz Diesel 27 kw (36 hp) Perkins Diesel 45 kw (60 hp)			
Platform rotation	160°		160°	
Auxiliary power unit	12V DC		12V DC	
Tyres - RT Lug	12-16.5 NHS		12-16.5 NHS	
Tyres - Ribbed (4x2 front)	12.5 L-16 SL		12.5 L-16 SL	
Hydraulic tank capacity	170 litres	45 gal	170 litres	45 gal
Fuel tank capacity	125 litres	33 gal	125 litres	33 gal
Weight**	5,582 kg	12,306 lb	6,709 kg	14,790 lb
S-40/S-45	4x2		4x4	
Drive speed, stowed Gas/LPG models	6.4 kph	4 mph	5.6 kph	3.5 mph
Drive speed, stowed Deutz Diesel models	6.1 kph	3.8 mph	4.5 kph	2.8 mph
Drive speed, raised or extended	1.1 kph	0.68 mph	1.1 kph	0.68 mph
Gradeability - stowed	30%		40%	

* The working height adds 2 m to platform height. Imperial adds 6 ft to platform height
** Weight will vary depending on options and/or country standards.

Distributed By:

Genie Industries

GENIE AUSTRALIA
591 Boundary Road, Darra Qld 4076
PO Box394, Richlands Qld 4077
Telephone **07 3375 1660**
Fax 07 3375 1002
www.genielift.com

GENIE UNITED STATES
18340 NE 76th Street
P.O. Box 97030
Redmond, Washington 98073-9730
Telephone **(425) 881-1800**
Toll Free in USA/Canada **800-536-1800**
Fax (425) 883-3475 www.genielift.com

Self-Propelled Telescopic Booms

More of what you need to get the tough jobs done.



For further information, please contact your local distributor or the Genie sales office listed. Continuous improvement of our products is a Genie policy. Product specifications are subject to change without notice or obligation. The photographs and drawings in this brochure are for illustrative purposes only. Refer to the appropriate Genie S-40 and S-45 Operator's Manual for instructions on the proper use of this equipment. Failure to follow the appropriate Operator's Manual when using a Genie S-40 or S-45, or to otherwise act irresponsibly, may result in serious injury or death. Copyright © 2001 by Genie Industries. "Genie" and "S" are Registered Trademarks of Genie Industries in the USA and many other countries. Loegering is a registered trade mark of Loegering. Genie is the owner of US Patent: 5,447,331 and Patents pending. S40 5K 0302F. Part No. 65015. GEN0287. Printed May 2002.