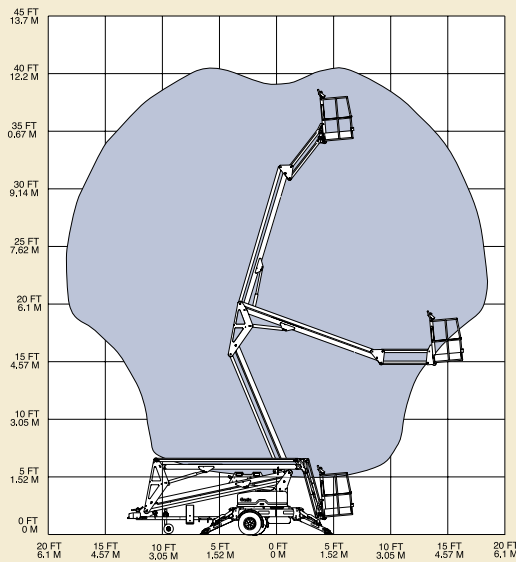


Standard Features

- 12.2 m (40 ft) working height
- 5.8 m (19 ft) horizontal reach
- Articulating jib has 130° working range
- 227 kg (500 lb) lift capacity
- Large, 20 cm (8 in) outrigger footpads
- Non-marking footpad covers
- Junction box, shelf and tie-down attachment points to accommodate generators up to 61 x 51 x 42 cm (24 x 20 x 16 ½ in)
- AC wiring to platform
- Hydraulic overrun brakes
- Mechanical parking brake
- Horn

- Hour meter
- Low battery indicator

Range of Motion

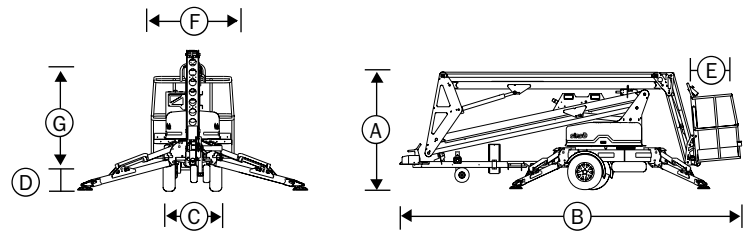


Options and Accessories

- Hydraulic outriggers with automatic levelling system
- Platform rotation
- Retractable axle
- Material lift attachment device
- Air line to platform
- Spare tyre
- Fluorescent tube caddy
- Mechanical overrun brakes
- Warning light
- Combination hitch
- A variety of hitches are available

Standards Compliance

- ANSI A92.2
- CE
- CSA
- AS 1418.10



Specifications

	Metric	US
Working height*	12.4 m	40 ft
Platform height	10.36 m	34 ft
(A) Height - stowed	1.97 m	77 ½ in
(B) Length - stowed	6 m	19 ft 9 in
(C) Width - axles retracted	86 cm	34 in
Width - axles extended	1.37 m	54 in
(D) Ground clearance	24 cm	9 ½ in
(E) Platform length	81 cm	32 in
(F) Platform width	1.22 m	48 in
(G) Platform railing height	1.12 m	44 in
Toeboard height	18 cm	7 in
Toeboard height - entry	10 cm	4 in
Entry height	46 cm	18 in
Horizontal reach - from pivot	5.8 m	19 ft
Horizontal reach - from edge of outrigger footpads	4.27 m	14 ft
Outrigger footprint - length	3.35 m	11 ft
Outrigger footprint - width	3.04 m	10 ft
Levelling capability - manual outriggers		12° 12°
- hydraulic outriggers		10° 10°
Lift capacity - ANSI, CE	227 kg	500 lb
- CSA	200 kg	440 lb
Turntable rotation	359° non-continuous	
Towing speed rating	97 km/h	60 mph
Power source	24 V DC	
Tongue weight	68 kg	150 lb
Tyre size	185/80 - 13	
Surge brakes	standard	
Parking brake	standard	
Net machine weight (manual outriggers)	1,270 kg	2,800 lb
(hydraulic outriggers)	1,338 kg	2,950 lb

*The metric equivalent of working height adds 2 m to platform height. U.S. adds 6 ft to platform height.

Trailer Mounted Z-Boom



Industry leading outreach and working envelope.



Distributed By:

Genie Industries

<p>GENIE AUSTRALIA 591 Boundary Road Darra Qld 4076 P.O. Box 394 Richlands Qld 4077 Telephone 07-3375-1660 Fax 07-3375-1002 http://www.genielift.com</p>	<p>GENIE UNITED STATES 18340 NE 76th Street P.O. Box 97030 Redmond, Washington 98073-9730 Telephone (425) 881-1800 Toll Free in USA/Canada 800-536-1800 Fax (425) 883-3475 http://www.genielift.com</p>	<p>GENIE UNITED KINGDOM Brunel Drive, Newark Nottinghamshire NG24 2EG England Telephone (44) 01636-614700 Fax (44) 01636-611090 http://www.genielift.com</p>
---	---	---

For further information, please contact your local distributor or the Genie sales office listed. Continuous improvement of our products is a Genie policy. Product specifications are subject to change without notice or obligation. The photographs and drawings in this brochure are for illustrative purposes only. Refer to the appropriate Genie TMZ-34/19 Operator's Manual for instructions on the proper use of this equipment. Failure to follow the appropriate Operator's Manual when using a Genie TMZ-34/19, or to otherwise act irresponsibly, may result in serious injury or death. Copyright © 1998 by Genie Industries. "Genie" is a Registered Trademark of Genie Industries in the USA and many other countries. "TMZ" is a trademark of Genie Industries. Patents Pending. TMZ34 3K 0300E. Part No. 65029AU