



SJIII 3220/26

ELECTRIC SCISSOR LIFTS

STANDARD FEATURES

- DC motor controller
- Drivable at full height
- Variable speed, rear two wheel hydraulic drive
- Dual holding brakes
- Proportional controls for drive & lift functions
- 3' (0.91 m) Roll out extension deck
- 24V DC power source
- Low voltage battery protection
- 30% Gradeability
- Solid rubber, non-marking tires
- Pothole protection system
- 110V AC outlet on platform with GFI
- 28 mph wind rating (12.5 m/s)
- Tilt alarm with drive & lift cut-out
- All motion audible alarm
- Lanyard attachment points
- Operator horn
- Hinged railing system (SJIII 3226)
- Forklift pockets and tie down/lift lugs
- Relay based control system
- Color coded and numbered wiring system
- Telematics ready
- 2 Year Gold Leaf Warranty (5 year structural warranty)

ACCESSORIES AND OPTIONS

- Light duty pipe rack (SJIII 3220)
- Heavy duty pipe rack
- Board carrier (SJIII 3226)
- Tool caddy
- Flashing light
- Dual flashing lights
- Extended control box cable
- 6' (1.8 m) Powered ext. deck (SJIII 3220)*
*adds 280 lbs to unit weight and reduces overall capacity to 800 lbs
- 800W AC inverter
- 250 Ah batteries (cannot be combined with EE rating package)
- AGM Batteries
- EE rating package
- Hinged railing system (SJIII 3220)
- Half height spring hinged gate
- Full height spring hinged gate*
- Shroud-style control box guard
- Bio oil
- Non destructive testing

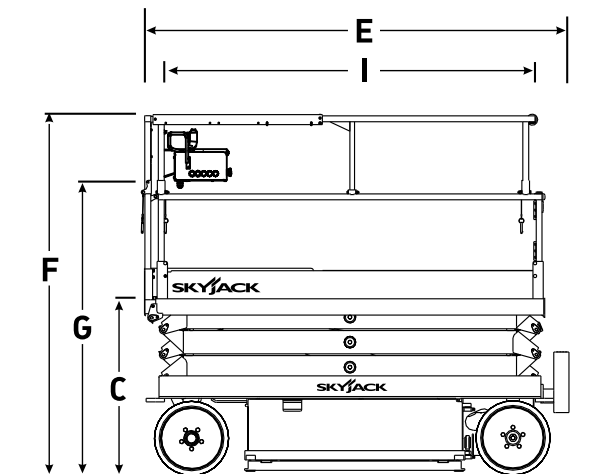
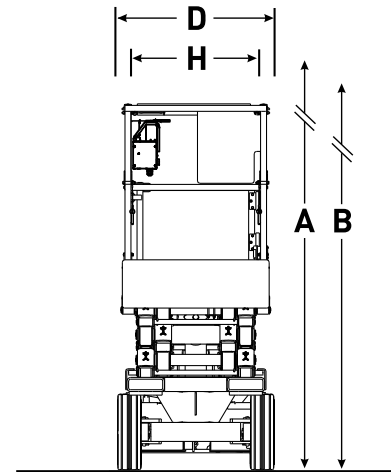
* Not available with hinged railing system.

† Standard lead times may be increased when optional equipment is added, consult factory.

‡ Capacities, and machine weights may differ when options are added.

SJIII 3220/26 ELECTRIC SCISSOR LIFTS

| Dimensions | SJIII 3220 | SJIII 3226 |
|---|----------------------|----------------------|
| A Work Height | 26' (7.92 m) | 32' (9.75 m) |
| B Raised Platform Height | 20' (6.10 m) | 26' (7.92 m) |
| C Lowered Platform Height | 38" (0.97 m) | 45" (1.14 m) |
| D Overall Width | 32" (0.81 m) | 32" (0.81 m) |
| E Overall Length | 91.5" (2.32 m) | 91.5" (2.32 m) |
| F Stowed Height (Rails Up) | 77.5" (1.97 m) | 84.7" (2.15 m) |
| G Stowed Height (Rails Down) | OPT 63.5" (1.61 m) | 70.6" (1.79 m) |
| H Platform Width (Inside Dimension) | 28" (0.71 m) | 28" (0.71 m) |
| I Platform Length (Inside Dimension) | 84" (2.13 m) | 84" (2.13 m) |
| Specifications | SJIII 3220 | SJIII 3226 |
| Extension Deck (Roll Out) | 3' (0.91 m) | 3' (0.91 m) |
| Ground Clearance (Stowed) | 3.5" (8.89 cm) | 3.5" (8.89 cm) |
| Ground Clearance (Raised) | 0.75" (1.90 cm) | 0.75" (1.90 cm) |
| Wheelbase | 69" (1.75 m) | 69" (1.75 m) |
| Weight | 3,510 lbs (1,592 kg) | 4,135 lbs (1,876 kg) |
| Gradeability | 30% | 30% |
| Turning Radius (Inside) | 50" (1.27 m) | 50" (1.27 m) |
| Turning Radius (Outside) | 108" (2.74 m) | 108" (2.74 m) |
| Lift Time (With Rated Load) | 33 sec | 56 sec |
| Lower time (With Rated Load) | 29 sec | 42 sec |
| Drive Speed (Stowed) | 2 mph (3.2 km/h) | 2.4 mph (3.9 km/h) |
| Drive Speed (Raised) | 0.7 mph (1.1 km/h) | 0.7 mph (1.1 km/h) |
| Maximum Drive Height | Full Height | Full Height |
| Capacity (Overall) | 900 lbs (408 kg) | 500 lbs (227 kg) |
| Distributed Capacity (Main Platform) | 600 lbs (273 kg) | 250 lbs (113 kg) |
| Distributed Capacity (Extension Deck) | 300 lbs (136 kg) | 250 lbs (113 kg) |
| Local Floor Load (With Rated Load) | 130 psi (897 kPa) | 130 psi (897 kPa) |
| Overall Floor Load (With Rated Load) | 245 psf (12 kPa) | 235 psf (12 kPa) |
| Maximum # of Persons | 2 | 2 |
| Wind Rating | 28 mph (12.5 m/s) | 28 mph (12.5 m/s) |
| Tire Type | Solid, N/M | Solid, N/M |
| Tire Size | 16 x 5 x 12 | 16 x 5 x 12 |



Skyjack Head Office
 55 Campbell Rd. Guelph, ON Canada N1H 1B9
 Sales Inquiries: 1-877-755-4387 (1-877-SJLIFTS)
 Main Switchboard: 1-800-265-2738
 Phone: 519-837-0888
 Fax: 519-837-8104
 Email: skyjack@skyjack.com
 www.skyjack.com

This brochure is for illustrative purpose only and based on the latest information at the time of printing. Skyjack Inc. reserves the right to make changes at any time, without notice, to specifications, standard and optional equipment. Consult the Operating Maintenance and Parts Manuals for proper procedures. Work platforms have been tested to comply with ANSI and CSA standards as interpreted by Skyjack Inc.

