



SJ6826/32 RT

ROUGH TERRAIN SCISSORS

STANDARD FEATURES

- Crossover symmetrical 4WD
- Drivable at full height with roll out deck fully extended
- 5' (1.52 m) Roll out extension deck
- Dual fuel (gas/propane) or diesel engine
- 90° swing out engine tray
- Multiple wet disc spring applied hydraulic release brakes
- 110V AC outlet on platform with GFI
- Up to 50% Gradeability
- Foam-filled low profile grip lug tires
- Tilt alarm with drive & lift cut-out
- Lanyard attachment points
- All motion audible alarm
- Operator horn
- Hinged railing system
- Forklift pockets and tie down/lift lugs
- Full height spring hinged gate at rear of unit
- Relay based control system
- Color coded and numbered wiring system
- Telematics ready
- 2 Year Gold Leaf Warranty (5 year structural warranty)

ACCESSORIES AND OPTIONS

- Heavy duty pipe rack
- Tool caddy
- Diesel scrubber for tier 4 final engine
- Independent/auto leveling outriggers
- Flashing light
- 3.5 kW hydraulic generator
- Cold weather start package (Includes hydraulic oil tank heater, battery blanket, coolant or block heater)
- Positive air shut-off valve
- Shroud-style control box guard
- Bio oil
- Non destructive testing

TIRE OPTIONS

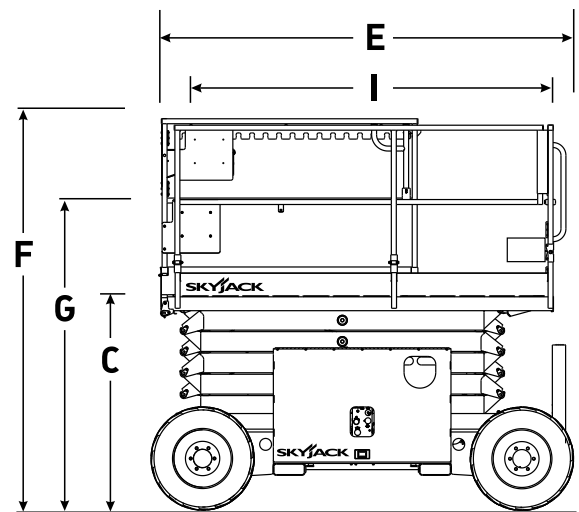
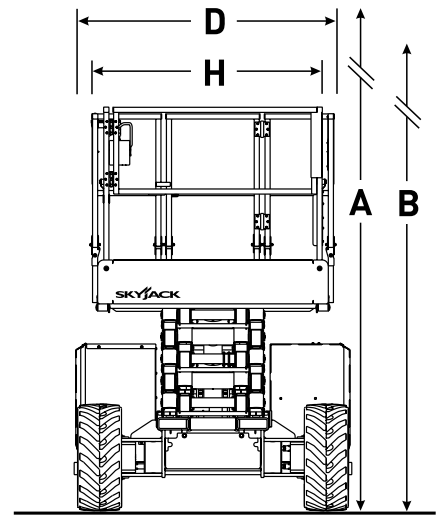
- Grip lug air-filled tires (SJ6826 RT)
- Non-marking grip lug foam-filled tires

† Standard lead times may be increased when optional equipment is added, consult factory.

‡ Capacities, and machine weights may differ when options are added.

SJ6826/32 RT ROUGH TERRAIN SCISSORS

Dimensions	SJ6826 RT	SJ6832 RT
A Work Height	32' (9.75 m)	38' (11.58 m)
B Raised Platform Height	26' (7.92 m)	32' (9.75 m)
C Lowered Platform Height	48.5" (1.23 m)	54" (1.37 m)
D Overall Width	69.5" (1.76 m)	69.5" (1.76 m)
E Overall Length	107" (2.72 m)	107" (2.72 m)
F Stowed Height (Rails Up)	93.5" (2.38 m)	99" (2.51 m)
G Stowed Height (Rails Down)	63.5" (1.61 m)	69" (1.75 m)
H Platform Width (Inside Dimension)	56" (1.42 m)	56" (1.42 m)
I Platform Length (Inside Dimension)	96" (2.44 m)	96" (2.44 m)
Specifications	SJ6826 RT	SJ6832 RT
Extension Deck	5' (1.52 m)	5' (1.52 m)
Ground Clearance	8" (0.20 m)	8" (0.20 m)
Wheelbase	80.5" (2.04 m)	80.5" (2.04 m)
Weight	6,400 lbs (2,903 kg)	7,660 lbs (3,475 kg)
Gradeability	50%	40%
Turning Radius (Inside)	60" (1.52 m)	60" (1.52 m)
Turning Radius (Outside)	156" (3.96 m)	156" (3.96 m)
Lift Time (With Rated Load)	36 sec	39 sec
Lower time (With Rated Load)	36 sec	36 sec
Drive Speed (Stowed)	3.8 mph (6.1 km/h)	3.8 mph (6.1 km/h)
Drive Speed (Raised)	0.4 mph (0.6 km/h)	0.4 mph (0.6 km/h)
Maximum Drive Height	Full Height	Full Height
Capacity (Overall)	1,250 lbs (567 kg)	1,000 lbs (454 kg)
Distributed Capacity (Main Platform)	950 lbs (431 kg)	700 lbs (318 kg)
Distributed Capacity (Extension Deck)	300 lbs (136 kg)	300 lbs (136 kg)
Local Floor Load (With Rated Load)	175 psi (1206 kPa)	181 psi (1248 kPa)
Overall Floor Load (With Rated Load)	281 psf (13 kPa)	297 psf (14 kPa)
Maximum # of Persons	4	4
Tire Type	Foam Filled	Foam Filled
Tire Size	26 x 12	26 x 12



Skyjack Head Office

55 Campbell Rd. Guelph, ON Canada N1H 1B9
 Sales Inquiries: 1-877-755-4387 (1-877-SJLIFTS)
 Main Switchboard: 1-800-265-2738
 Phone: 519-837-0888
 Fax: 519-837-8104
 Email: skyjack@skyjack.com
 www.skyjack.com

This brochure is for illustrative purpose only and based on the latest information at the time of printing. Skyjack Inc. reserves the right to make changes at any time, without notice, to specifications, standard and optional equipment. Consult the Operating Maintenance and Parts Manuals for proper procedures. Work platforms have been tested to comply with ANSI and CSA standards as interpreted by Skyjack Inc.

